

5 10 15 20 25 30 35 40 45 50 55 60 65 70 75 80 85 90 95 100

| | |
|---|------------|
| INDICE | |
| REGLETERO CONEXIONES ELECTRICAS TERMINAL STRIP BORNIER DE CONNEXION ELECTRIQUE KLEMMLEISTE | HOJA 1/9 |
| CIRCUITO POTENCIA POWER CIRCUIT CIRCUIT DE PUISSANCE STROMKREIS | HOJA 2/9 |
| CIRCUITO MANIOBRA CONTROL CIRCUIT CIRCUIT DE CONTROL STUECKERKREIS | HOJA 3/9 |
| CONEXION OPCIONALES OPTIONS CONNEXIONS OPTIONNELS OPTIONEN / ZUBEHÖR | HOJA 4-8/9 |
| LEYENDA REFERENCIAS REFERENCES LEGEND REFERENCE DE LEGENDE LEGENDE | HOJA 9/9 |

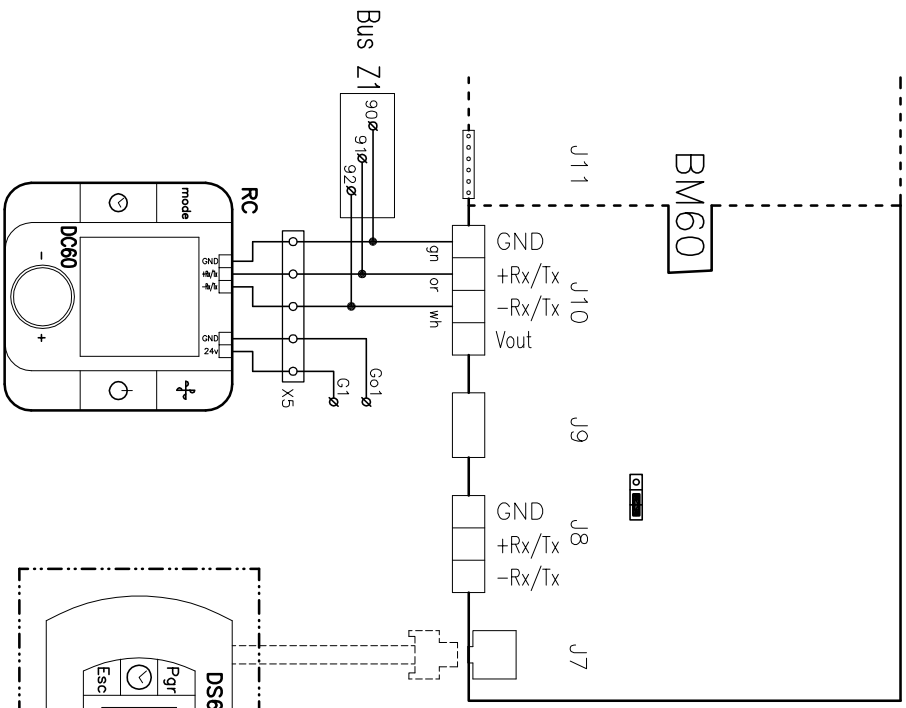
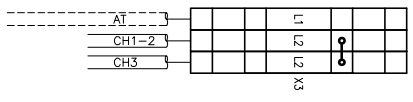
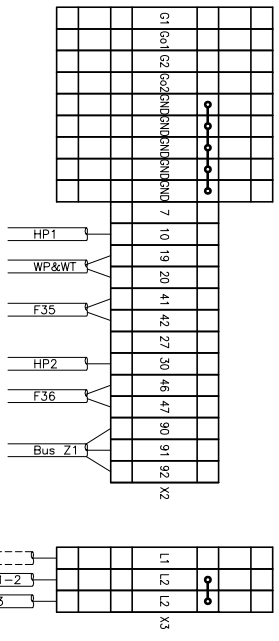
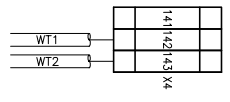


ESQUEMA ELECTRICO
WIRING DIAGRAM
SCHEMA ELECTRIQUE
SCHALTPLAN

| | | | | | | | | |
|--|-------|---|-------|----------|--------------------|---------------------------------------|--|--|
| Elemento Opcional Optional Element Élément optionnel Optionales bauteil | ----- | A realizar por el instalador To wire by the installer A câbler par l'installateur Verdrahtung durch den installateur | ----- | % | Lennox Refrac S.A. | ESQUEMA ELECTRICO ELECTRIC DIAGRAM | EAC 1203-1303-1403 M4 (WOP) | 4Z-33-660-612 12M 3 ~400V 50HZ + PE |
|--|-------|---|-------|----------|--------------------|---------------------------------------|--|--|



5 10 15 20 25 30 35 40 45 50 55 60 65 70 75 80 85 90 95 100



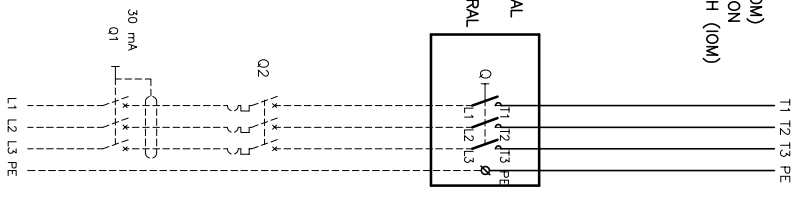
A LA MANGUERA APANTALLADA DEBE CONECTARSE A TIERRA
 THE CABLE SCREEN MUST BE CONNECTED TO GROUND
 LA TRESSÉ DE BLINDAGE DOIT SE CONNECTER A LA TERRE
 DIE KABELABSCHIRMUNG MUSS GEEDET WERDEN

A RETIRAR PUENTE SI SE MONTA ON/OFF REMOTO
 REMOVE LINK FOR REMOTE ON/OFF OPERATION
 RETIRER LE PONT EN CAS DE MARCHÉ/ARRET A DISTANCE
 ENTFERNE DIE VERBINDUNG ZUM EIN/AUS FERNSCHALTER

A ESTAS BORNAS SOLAMENTE SE INCLUYEN CON SU OPCIONAL
 THESE TERMINALS ARE ONLY INCLUDED WITH ITS OPTIONAL
 CES CONTACTS SONT INSTALLEES SEULEMENT SI ON DEMANDE CHOISIT L'OPTIONAL
 DIESE ANSCHLUSSKLEMMEN SIND NUR MIT ZUBEHÖR VERFÜGBAR IHREM OPTIONAL

VER MANUAL INSTALACION
 SEE INSTALLATION MANUAL (IOM)
 VOIR LE MANUEL D'INSTALLATION
 SIEHE INSTALLATIONSHANDBUCH (IOM)

INTERRUPTOR GENERAL
 MAIN SWITCH
 INTERRUPTEUR GENERAL
 HAUPTSCHALTER



Elemento Opcional
 Optional Element
 Element optionnel
 Optionales bauteil

A realizar por el instalador
 To wire by the installer
 A câblar par l'installateur
 Verdrahtung durch den installateur

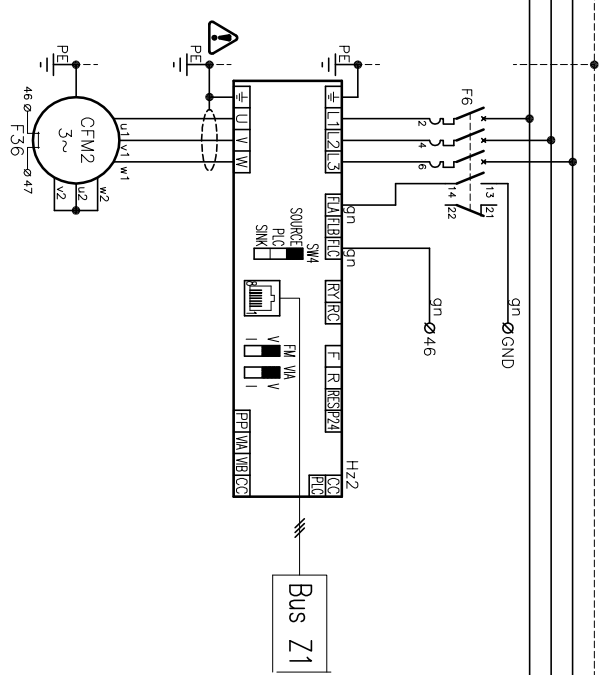
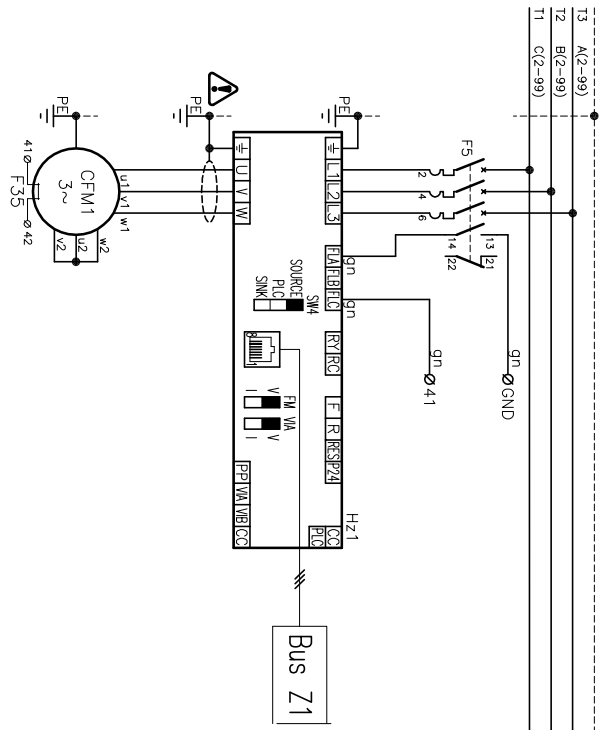
1/9
 Lemnox Refrac S.A.

ESQUEMA ELECTRICO
 ELECTRIC DIAGRAM

EAC 1203-1303-1403
 M4 (WIOP)

ALIMENTACION
 POWER SUPPLY
 ALIMENTATION
 STROMZULEITUNG
 3~400V 50Hz+PE
 4Z-3S-660-612 12M
 3~400V 50HZ + PE

5 10 15 20 25 30 35 40 45 50 55 60 65 70 75 80 85 90 95 100

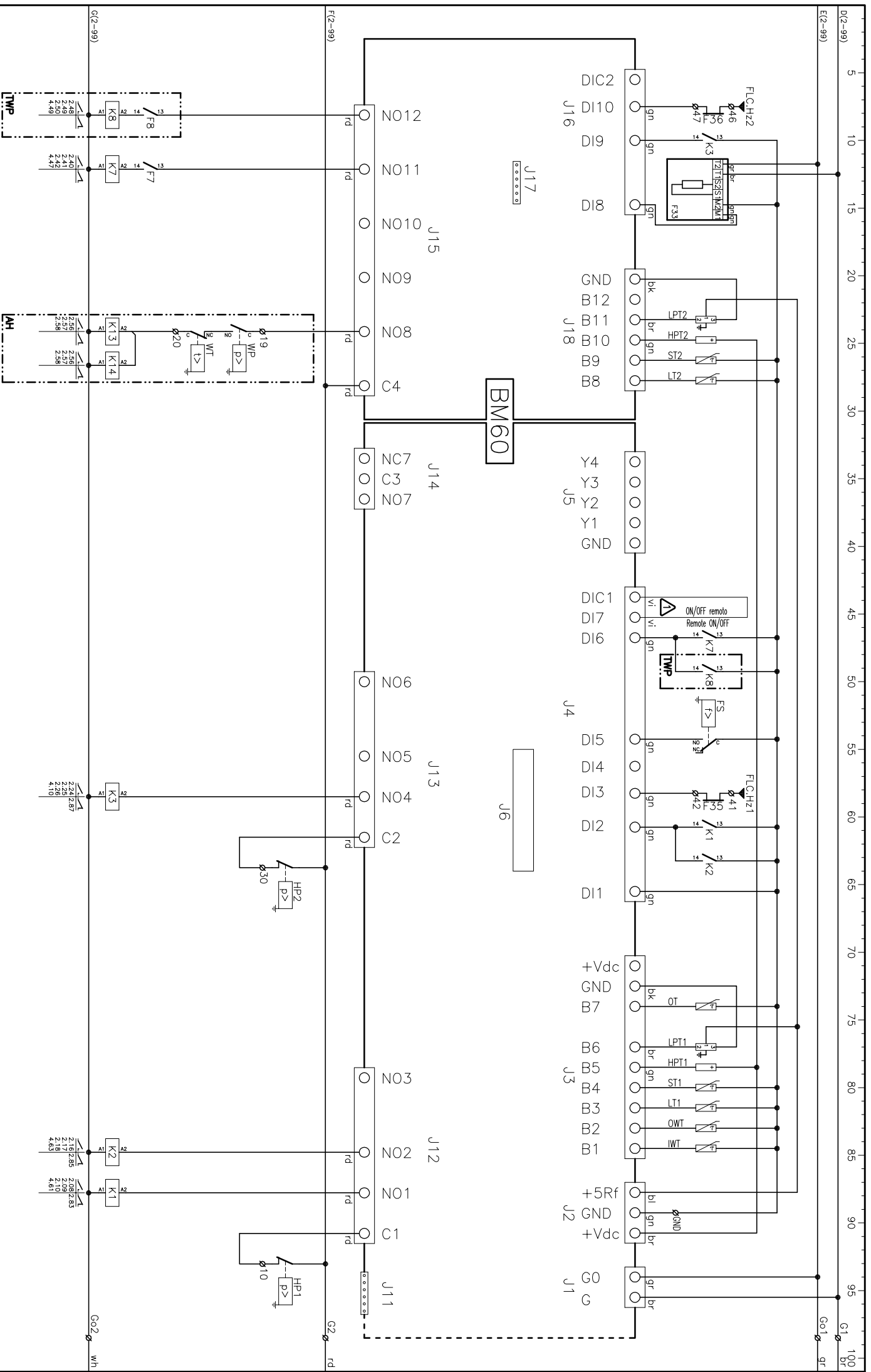


| | | | | | | | | | |
|--------------|------------|-------------|--|--|--|--|--|--|--|
| Motor | SM4 | FM4 | | | | | | | |
| EAC Im(CO) | 4 / 2,3 A | 8,1 / 4,7 A | | | | | | | |
| 1203 Iq(LRA) | 14 / 4,7 A | 29 / 11 A | | | | | | | |
| | 2,5..4A | 6..10A | | | | | | | |
| Motor | SM4 | FM4 | | | | | | | |
| EAC Im(CO) | 4 / 2,3 A | 8,1 / 4,7 A | | | | | | | |
| 1303 Iq(LRA) | 14 / 4,7 A | 29 / 11 A | | | | | | | |
| | 2,5..4A | 6..10A | | | | | | | |
| Motor | SM4 | FM4 | | | | | | | |
| EAC Im(CO) | 4 / 2,3 A | 8,1 / 4,7 A | | | | | | | |
| 1403 Iq(LRA) | 14 / 4,7 A | 29 / 11 A | | | | | | | |
| | 2,5..4A | 6..10A | | | | | | | |

Elemento Opcional
 Optional Element
 Element optionnel
 Opcionales bouteille

A realizar por el instalador
 To wire by the installer
 A câbler par l'installateur
 Verdrahtung durch den installateur

| | | | | |
|------------|--------------------|---------------------------------------|--|--|
| 3/9 | Lemnox Refrac S.A. | ESQUEMA ELECTRICO ELECTRIC DIAGRAM | EAC 1203-1303-1403 _M4 (WIOP) | 4Z-33-660-612 12M 3 ~400V 50HZ + PE |
|------------|--------------------|---------------------------------------|--|--|

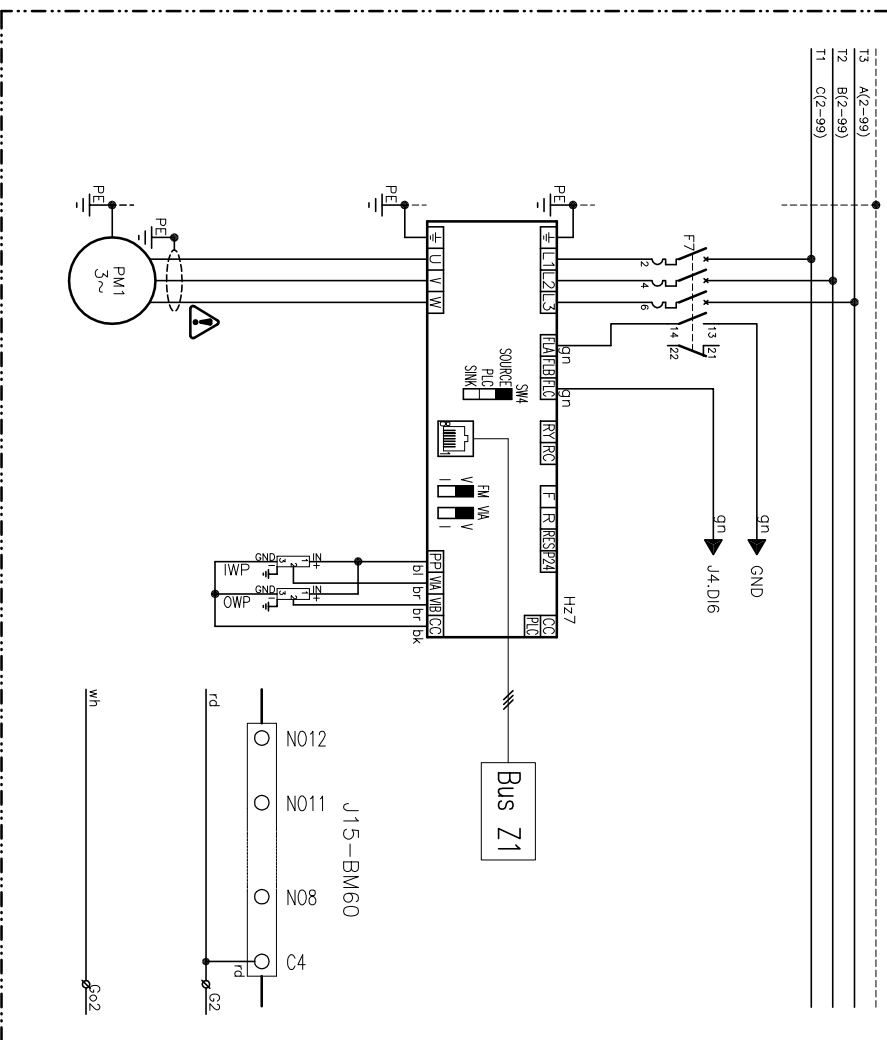


Elemento Opcional
 Elementi Opțional
 Element optional
 Optionales bauteil

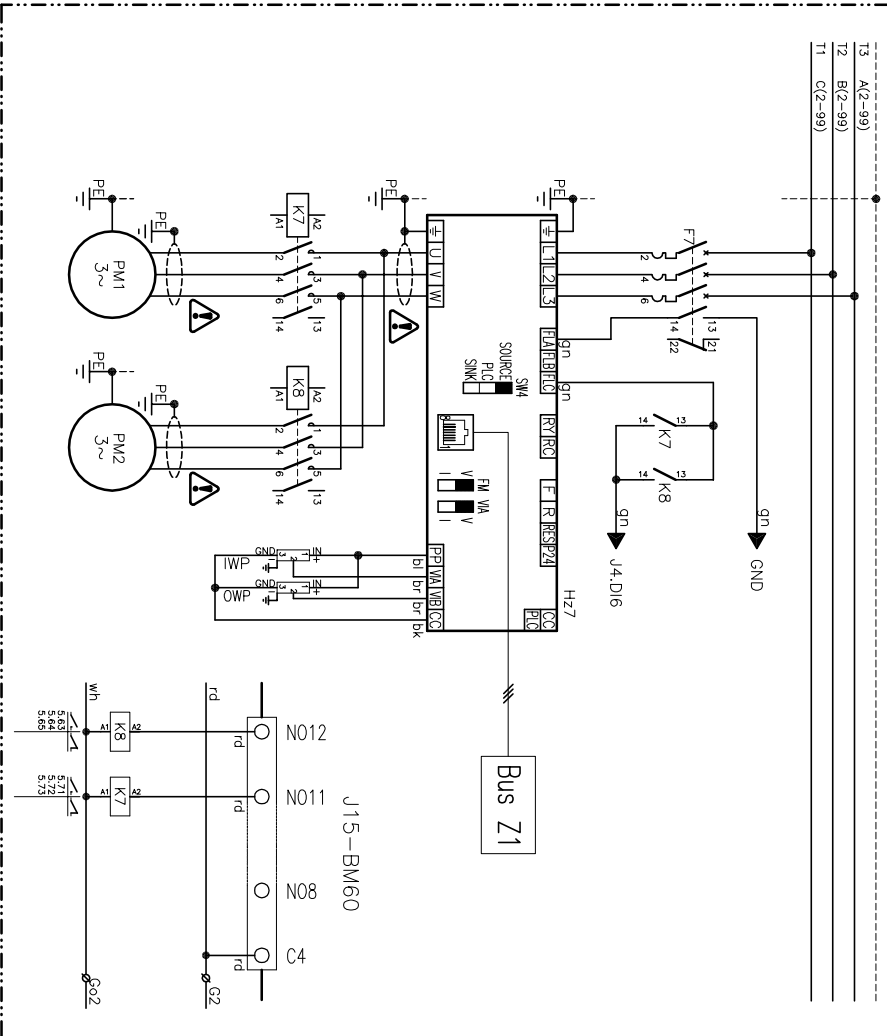
A realizar por el instalador
 To wire by the installer
 A câblar par instalateur
 Verdrahtung durch den Installateur

| | | | | |
|-----|--------------------|---------------------------------------|--------------------------------|--|
| 4/9 | Lemnox Refrac S.A. | ESQUEMA ELECTRICO ELECTRIC DIAGRAM | EAC 1203-1303-1403 M4 (WOP) | 4Z-33-660-612 12W 3 ~400V 50HZ + PE |
|-----|--------------------|---------------------------------------|--------------------------------|--|

(PM1_ATV) BOMBA DE AGUA MODULANTE / VARIABLE WATER PUMP



(PM2_ATV) BOMBA DE AGUA DOBLE MODULANTE / VARIABLE TWIN WATER PUMP



Elemento Opcional
Optional Element
Element optionnel
Optionales bauteil

A realizar por el instalador
To wire by the installer
A câblar par l'installateur
Verdrahtung durch den Installateur

5/9

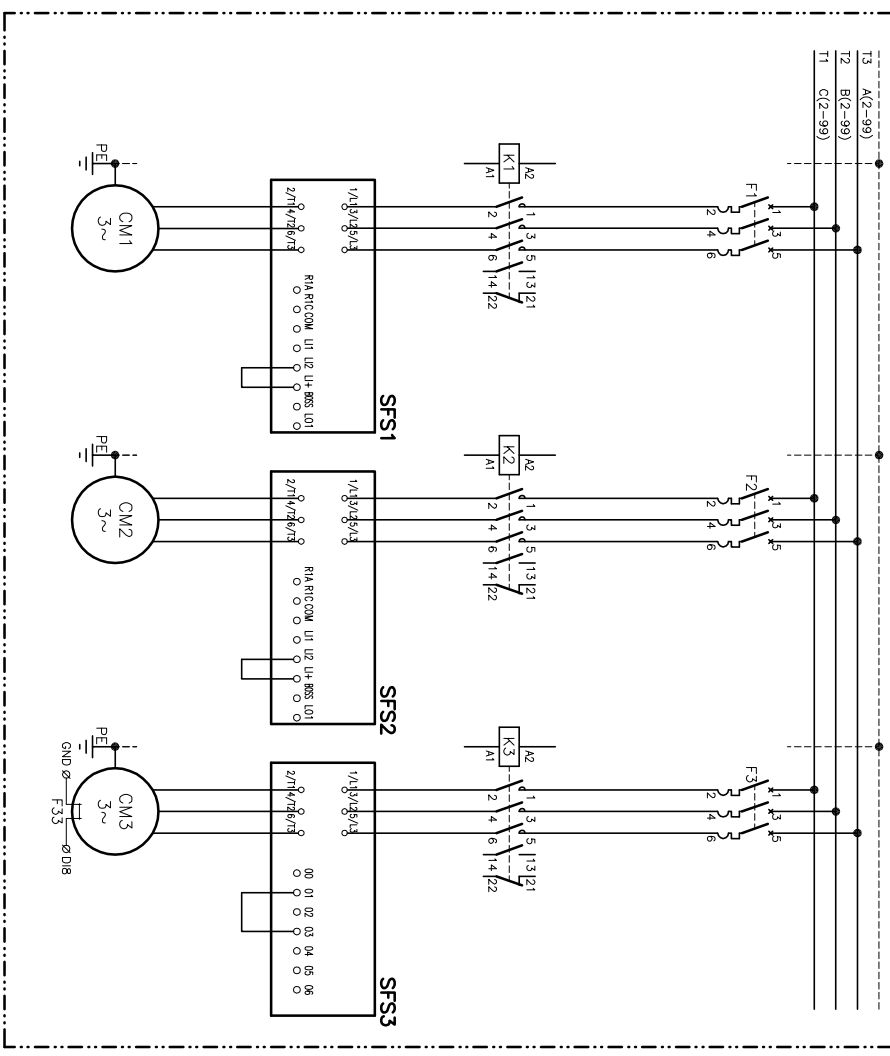
Lemnox Refrac S.A.

ESQUEMA ELECTRICO
ELECTRIC DIAGRAM

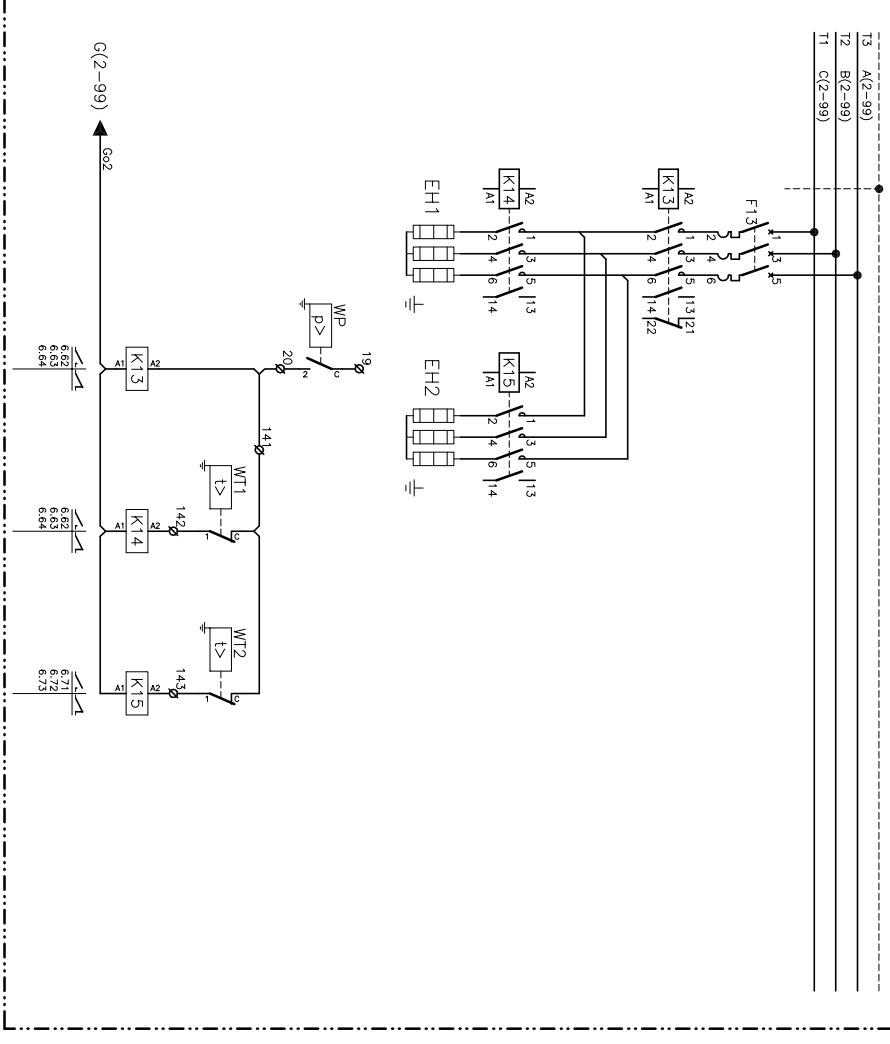
EAC 1203-1303-1403
_M4 (WOP)

4Z-33-660-612 12M
3 ~400V 50HZ + PE

(SFS) ARRANCADOR SUAVE / SOFT STARTED



(EH) BATERIA ELECTRICA / ELECTRICAL HEATER



Elemento Opcional
Optional Element
Element optionnel
Optionales bauteil

A realizar por el instalador
To wire by the installer
A câblar par l'installateur
Verdrahtung durch den Installateur

6/9

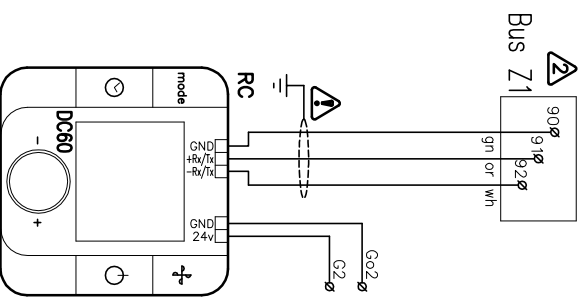
Lemnox Refrac S.A.

ESQUEMA ELECTRICO
ELECTRIC DIAGRAM

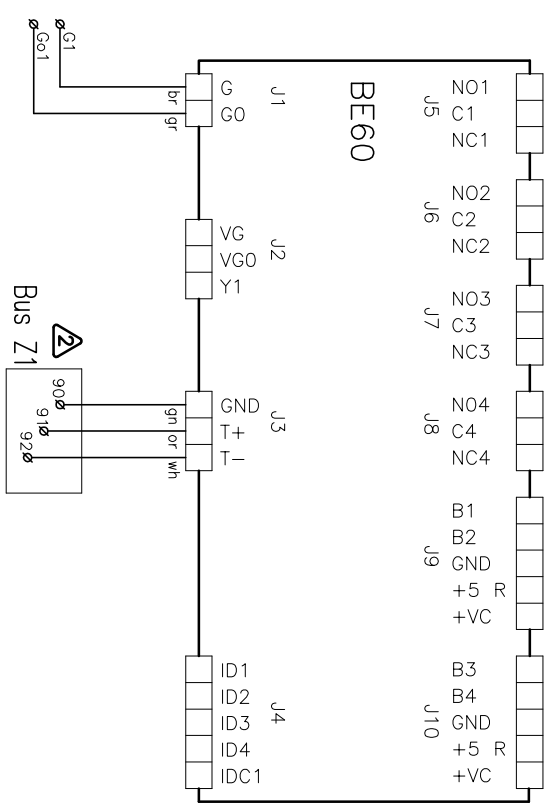
EAC 1203-1303-1403
_M4 (WIOP)

4Z-33-660-612 12M
3 ~400V 50HZ + PE

(DC60) MANDO REMOTO / REMOTE CONTROL



(BE60) MODULO EXPANSION / EXPANSION MODULE



Elemento Opcional
Optional Element
Element optionnel
Optionales bauteil

A realizar por el instalador
To wire by the installer
A câbler par l'installateur
Verdrahtung durch den Installateur

7/9

Lemnox Refrac S.A.

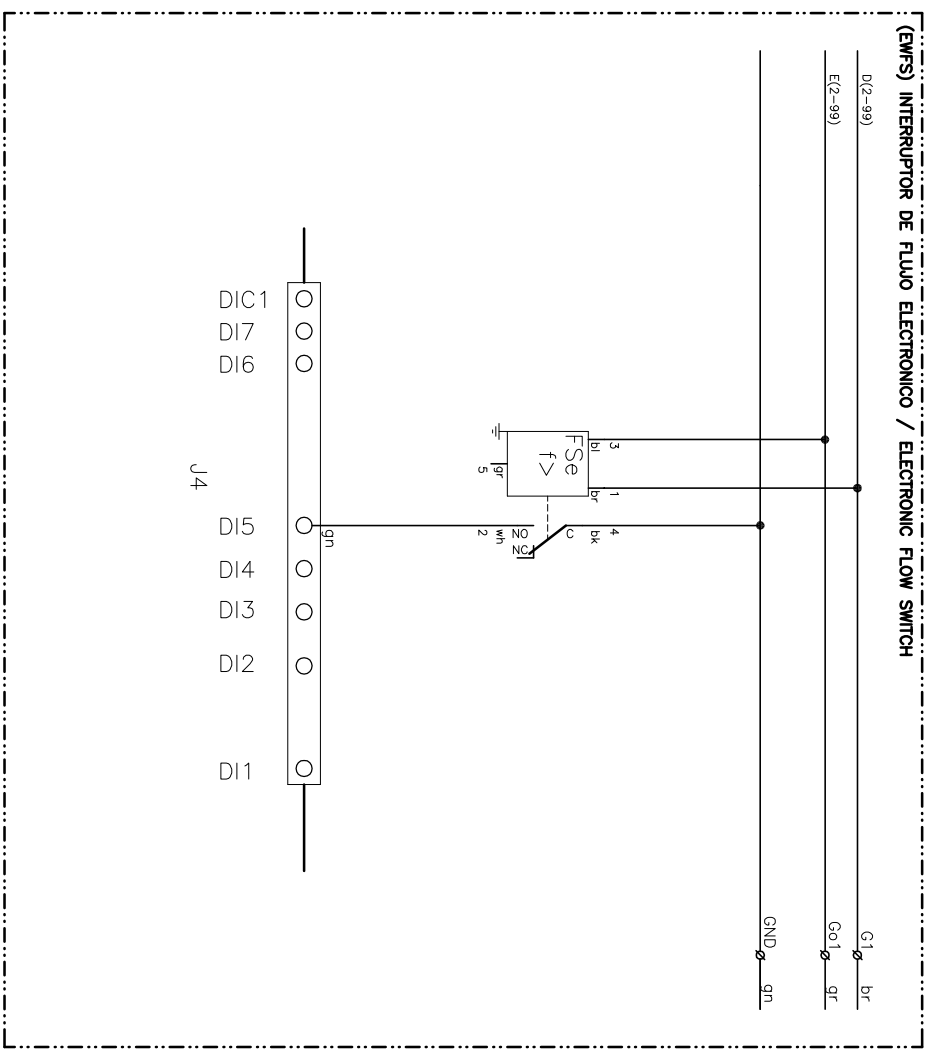
ESQUEMA ELECTRICO
ELECTRIC DIAGRAM

EAC 1203-1303-1403
M4 (WOP)

4Z-33-660-612 12M
3 ~400V 50HZ + PE

5 10 15 20 25 30 35 40 45 50 55 60 65 70 75 80 85 90 95 100

(EWFS) INTERRUPTOR DE FLUJO ELECTRONICO / ELECTRONIC FLOW SWITCH



Elemento Opcional
Optional Element
Element optionnel
Optionales bauteil

A realizar por el instalador
To wire by the installer
A câbler par l'installateur
Verdrahtung durch den installateur

| | | | | |
|-----|--------------------|---------------------------------------|----------------------------------|--|
| 8/9 | Lemnox Refrac S.A. | ESQUEMA ELECTRICO ELECTRIC DIAGRAM | EAC 1203-1303-1403 _M4 (WIOP) | 4Z-33-660-612 12M 3 ~400V 50HZ + PE |
|-----|--------------------|---------------------------------------|----------------------------------|--|

| | 5 | 10 | 15 | 20 | 25 | 30 | 35 | 40 | 45 | 50 | 55 | 60 | 65 | 70 | 75 | 80 | 85 | 90 | 95 | 100 |
|-----------|--|----|----|----|----|----|----|----|----|----|----|----|----|----|----|----|----|----|----|-----|
| | LEGENDA | | | | | | | | | | | | | | | | | | | |
| AH | Res. antihielo tonque inercia | | | | | | | | | | | | | | | | | | | |
| AT | Res. antihielo del evaporador | | | | | | | | | | | | | | | | | | | |
| BE60 | Modulo expansion CL60 | | | | | | | | | | | | | | | | | | | |
| BM60 | Modulo logico | | | | | | | | | | | | | | | | | | | |
| CFM | Motor ventilador exterior | | | | | | | | | | | | | | | | | | | |
| CH | Resistencia de cortar | | | | | | | | | | | | | | | | | | | |
| CM | Motor compresor | | | | | | | | | | | | | | | | | | | |
| DC60 | Control Remoto | | | | | | | | | | | | | | | | | | | |
| DS60 | Terminal de servicio | | | | | | | | | | | | | | | | | | | |
| EH | Bateria electrica | | | | | | | | | | | | | | | | | | | |
| FO1-04 | Magnetotermico | | | | | | | | | | | | | | | | | | | |
| FO5-06 | Magnetotermico | | | | | | | | | | | | | | | | | | | |
| FO7-08 | Magnetotermico | | | | | | | | | | | | | | | | | | | |
| F20 | Magnetotermico | | | | | | | | | | | | | | | | | | | |
| F21-22-23 | Fusible del TF1-SC | | | | | | | | | | | | | | | | | | | |
| F31-34 | Modulo proteccion compresor | | | | | | | | | | | | | | | | | | | |
| F35-36 | Proteccion térmica | | | | | | | | | | | | | | | | | | | |
| FS | Interruptor de flujo | | | | | | | | | | | | | | | | | | | |
| FSC | Control de condensación | | | | | | | | | | | | | | | | | | | |
| Fse | Interruptor de flujo electrónico | | | | | | | | | | | | | | | | | | | |
| HP1-2 | Presostato de alta | | | | | | | | | | | | | | | | | | | |
| HP11 | Transductor alta presión 1 | | | | | | | | | | | | | | | | | | | |
| HP12 | Transductor alta presión 2 | | | | | | | | | | | | | | | | | | | |
| H2 | Variador de frecuencia | | | | | | | | | | | | | | | | | | | |
| Io(LRA) | Intensidad de arranque | | | | | | | | | | | | | | | | | | | |
| Im(MCC) | Intensidad máxima | | | | | | | | | | | | | | | | | | | |
| IWP | Presión entrada agua | | | | | | | | | | | | | | | | | | | |
| IWT | Temperatura entrada agua | | | | | | | | | | | | | | | | | | | |
| K | Contactor | | | | | | | | | | | | | | | | | | | |
| LPT1 | Transductor baja presión 1 | | | | | | | | | | | | | | | | | | | |
| LPT2 | Transductor baja presión 2 | | | | | | | | | | | | | | | | | | | |
| LT1 | Temperatura liquido 1 | | | | | | | | | | | | | | | | | | | |
| LT2 | Temperatura liquido 2 | | | | | | | | | | | | | | | | | | | |
| OT | Temperatura exterior | | | | | | | | | | | | | | | | | | | |
| OWP | Presión salida agua | | | | | | | | | | | | | | | | | | | |
| OWT | Temperatura salida agua | | | | | | | | | | | | | | | | | | | |
| PM | Motor Bomba de agua | | | | | | | | | | | | | | | | | | | |
| Q | Interruptor general | | | | | | | | | | | | | | | | | | | |
| Q1 | Interruptor diferencial | | | | | | | | | | | | | | | | | | | |
| Q2 | Interruptor magnetotermico | | | | | | | | | | | | | | | | | | | |
| RC | Control Remoto | | | | | | | | | | | | | | | | | | | |
| SC | Relé control de secuencia-fallo de fases | | | | | | | | | | | | | | | | | | | |
| SFS1_2_3 | Arrancador suave | | | | | | | | | | | | | | | | | | | |
| ST1 | Temperatura aspiración 1 | | | | | | | | | | | | | | | | | | | |
| ST2 | Temperatura aspiración 2 | | | | | | | | | | | | | | | | | | | |
| TF1 | Transformador | | | | | | | | | | | | | | | | | | | |
| TWP | Bomba de Agua Double | | | | | | | | | | | | | | | | | | | |
| WP | Presión de agua | | | | | | | | | | | | | | | | | | | |
| WT1_2_4 | Temperatura de agua | | | | | | | | | | | | | | | | | | | |
| | LEGENDE | | | | | | | | | | | | | | | | | | | |
| | Antifreeze evaporator heater | | | | | | | | | | | | | | | | | | | |
| | Expansion Module CL60 | | | | | | | | | | | | | | | | | | | |
| | Logic Module | | | | | | | | | | | | | | | | | | | |
| | Compressor fan motor | | | | | | | | | | | | | | | | | | | |
| | Comkcase heater | | | | | | | | | | | | | | | | | | | |
| | Compressor motor | | | | | | | | | | | | | | | | | | | |
| | Remote Control | | | | | | | | | | | | | | | | | | | |
| | Service display | | | | | | | | | | | | | | | | | | | |
| | Electrical heater | | | | | | | | | | | | | | | | | | | |
| | Circuitbreaker | | | | | | | | | | | | | | | | | | | |
| | Circuitbreaker | | | | | | | | | | | | | | | | | | | |
| | Circuitbreaker | | | | | | | | | | | | | | | | | | | |
| | TF1-SC fuse | | | | | | | | | | | | | | | | | | | |
| | Compressor protector module | | | | | | | | | | | | | | | | | | | |
| | Thermal protection | | | | | | | | | | | | | | | | | | | |
| | Water flow switch | | | | | | | | | | | | | | | | | | | |
| | Fan speed control | | | | | | | | | | | | | | | | | | | |
| | Electronic water flow switch | | | | | | | | | | | | | | | | | | | |
| | High pressure pressostat | | | | | | | | | | | | | | | | | | | |
| | High pressure transducer 1 | | | | | | | | | | | | | | | | | | | |
| | High pressure transducer 2 | | | | | | | | | | | | | | | | | | | |
| | Frequency inverter | | | | | | | | | | | | | | | | | | | |
| | Starting current | | | | | | | | | | | | | | | | | | | |
| | Maximum current | | | | | | | | | | | | | | | | | | | |
| | Inlet water pressure | | | | | | | | | | | | | | | | | | | |
| | Inlet water temperature | | | | | | | | | | | | | | | | | | | |
| | Contactor | | | | | | | | | | | | | | | | | | | |
| | Low pressure transducer 1 | | | | | | | | | | | | | | | | | | | |
| | Low pressure transducer 2 | | | | | | | | | | | | | | | | | | | |
| | Liquid temperature 1 | | | | | | | | | | | | | | | | | | | |
| | Liquid temperature 2 | | | | | | | | | | | | | | | | | | | |
| | Outdoor temperature | | | | | | | | | | | | | | | | | | | |
| | Outlet water pressure | | | | | | | | | | | | | | | | | | | |
| | Outlet water temperature | | | | | | | | | | | | | | | | | | | |
| | Water Pump motor | | | | | | | | | | | | | | | | | | | |
| | Main switch | | | | | | | | | | | | | | | | | | | |
| | Ground safety switch | | | | | | | | | | | | | | | | | | | |
| | Circuit breaker | | | | | | | | | | | | | | | | | | | |
| | Remote Control | | | | | | | | | | | | | | | | | | | |
| | Phase sequence and failure control relay | | | | | | | | | | | | | | | | | | | |
| | Soft starter | | | | | | | | | | | | | | | | | | | |
| | Suction temperature 1 | | | | | | | | | | | | | | | | | | | |
| | Suction temperature 2 | | | | | | | | | | | | | | | | | | | |
| | Transformer | | | | | | | | | | | | | | | | | | | |
| | Twin Water Pump | | | | | | | | | | | | | | | | | | | |
| | Water pressure | | | | | | | | | | | | | | | | | | | |
| | Water temperature | | | | | | | | | | | | | | | | | | | |
| | REFERENCE | | | | | | | | | | | | | | | | | | | |
| | Resistance Antigel du Ballon | | | | | | | | | | | | | | | | | | | |
| | Resistance Antigel Evaporateur | | | | | | | | | | | | | | | | | | | |
| | Carte Extension CL60 | | | | | | | | | | | | | | | | | | | |
| | Module de Control | | | | | | | | | | | | | | | | | | | |
| | Moteur ventilateur extérieur | | | | | | | | | | | | | | | | | | | |
| | Resistance de cortar | | | | | | | | | | | | | | | | | | | |
| | Compresseur | | | | | | | | | | | | | | | | | | | |
| | Contrôleur à distance | | | | | | | | | | | | | | | | | | | |
| | Display service | | | | | | | | | | | | | | | | | | | |
| | Resistance électrique | | | | | | | | | | | | | | | | | | | |
| | Disjoncteur | | | | | | | | | | | | | | | | | | | |
| | Disjoncteur | | | | | | | | | | | | | | | | | | | |
| | Disjoncteur | | | | | | | | | | | | | | | | | | | |
| | Disjoncteur | | | | | | | | | | | | | | | | | | | |
| | Fusible TF1-SC | | | | | | | | | | | | | | | | | | | |
| | Module protection du compresseur | | | | | | | | | | | | | | | | | | | |
| | Protection thermique | | | | | | | | | | | | | | | | | | | |
| | Contrôleur de Debit d'eau | | | | | | | | | | | | | | | | | | | |
| | Variateur de vitesse du ventilateur | | | | | | | | | | | | | | | | | | | |
| | Contrôleur de Debit d'eau électronique | | | | | | | | | | | | | | | | | | | |
| | Pressostat HP | | | | | | | | | | | | | | | | | | | |
| | Transducteur de haute pression 1 | | | | | | | | | | | | | | | | | | | |
| | Transducteur de haute pression 2 | | | | | | | | | | | | | | | | | | | |
| | Variateur de fréquence | | | | | | | | | | | | | | | | | | | |
| | Intensité de démarrage | | | | | | | | | | | | | | | | | | | |
| | Intensité maximal | | | | | | | | | | | | | | | | | | | |
| | Pression de l'eau d'entrée | | | | | | | | | | | | | | | | | | | |
| | Température de l'eau d'entrée | | | | | | | | | | | | | | | | | | | |
| | Contacteur | | | | | | | | | | | | | | | | | | | |
| | Transducteur de basse pression 1 | | | | | | | | | | | | | | | | | | | |
| | Transducteur de basse pression 2 | | | | | | | | | | | | | | | | | | | |
| | Température de liquide 1 | | | | | | | | | | | | | | | | | | | |
| | Température de liquide 2 | | | | | | | | | | | | | | | | | | | |
| | Température extérieure | | | | | | | | | | | | | | | | | | | |
| | Pression d'eau en sortie | | | | | | | | | | | | | | | | | | | |
| | Température de l'eau de sortie | | | | | | | | | | | | | | | | | | | |
| | Moteur Pompe d'eau | | | | | | | | | | | | | | | | | | | |
| | Interrupteur général | | | | | | | | | | | | | | | | | | | |
| | Interrupteur différentiel | | | | | | | | | | | | | | | | | | | |
| | Interrupteur magnétique | | | | | | | | | | | | | | | | | | | |
| | Contrôleur à distance | | | | | | | | | | | | | | | | | | | |
| | Déclencheur de phases | | | | | | | | | | | | | | | | | | | |
| | Démarrateur progressif | | | | | | | | | | | | | | | | | | | |
| | Température d'aspiration 1 | | | | | | | | | | | | | | | | | | | |
| | Température d'aspiration 2 | | | | | | | | | | | | | | | | | | | |
| | Transformateur | | | | | | | | | | | | | | | | | | | |
| | Double pompe à eau | | | | | | | | | | | | | | | | | | | |
| | Pression d'eau | | | | | | | | | | | | | | | | | | | |
| | Température d'eau | | | | | | | | | | | | | | | | | | | |
| | LEGENDE | | | | | | | | | | | | | | | | | | | |
| | Pufferrespeicher Frostschutzheizung | | | | | | | | | | | | | | | | | | | |
| | Verdampfer Frostschutzheizung | | | | | | | | | | | | | | | | | | | |
| | Erweiterungsmodul CL60 | | | | | | | | | | | | | | | | | | | |
| | Logic Modul | | | | | | | | | | | | | | | | | | | |
| | Kondensatorlüftermotor | | | | | | | | | | | | | | | | | | | |
| | Kübelwärmehheizung | | | | | | | | | | | | | | | | | | | |
| | Kompressor | | | | | | | | | | | | | | | | | | | |
| | Fernbedienung | | | | | | | | | | | | | | | | | | | |
| | Service display | | | | | | | | | | | | | | | | | | | |
| | Heizstüre | | | | | | | | | | | | | | | | | | | |
| | Motor/Schutzschalter | | | | | | | | | | | | | | | | | | | |
| | Motor/Schutzschalter | | | | | | | | | | | | | | | | | | | |
| | Motor/Schutzschalter | | | | | | | | | | | | | | | | | | | |
| | Motor/Schutzschalter | | | | | | | | | | | | | | | | | | | |
| | TF1-SC-G-Sicherung | | | | | | | | | | | | | | | | | | | |
| | Therm. Kompressorrelais | | | | | | | | | | | | | | | | | | | |
| | Therm. Relais | | | | | | | | | | | | | | | | | | | |
| | Stromswoechter | | | | | | | | | | | | | | | | | | | |
| | Kondensationsdruckregelung | | | | | | | | | | | | | | | | | | | |
| | Elektronische Stromungswächter | | | | | | | | | | | | | | | | | | | |
| | Hochdruckpressostat | | | | | | | | | | | | | | | | | | | |
| | High Druckaufnehmer 1 | | | | | | | | | | | | | | | | | | | |
| | High Druckaufnehmer 2 | | | | | | | | | | | | | | | | | | | |
| | Frequenzumrichter | | | | | | | | | | | | | | | | | | | |
| | Anlaufstrom | | | | | | | | | | | | | | | | | | | |
| | Maximale stromstärke | | | | | | | | | | | | | | | | | | | |
| | Inlet Wasserdruk | | | | | | | | | | | | | | | | | | | |
| | Wassereintrittstemperatur | | | | | | | | | | | | | | | | | | | |
| | Schutz | | | | | | | | | | | | | | | | | | | |
| | Low Druckaufnehmer 1 | | | | | | | | | | | | | | | | | | | |
| | Low Druckaufnehmer 2 | | | | | | | | | | | | | | | | | | | |
| | Flüssigkeitstemperatur 1 | | | | | | | | | | | | | | | | | | | |
| | Flüssigkeitstemperatur 2 | | | | | | | | | | | | | | | | | | | |
| | Aubentemperatur | | | | | | | | | | | | | | | | | | | |
| | Outlet Wasserdruk | | | | | | | | | | | | | | | | | | | |
| | Wasserausgangstemperatur | | | | | | | | | | | | | | | | | | | |
| | Pumpenmotor | | | | | | | | | | | | | | | | | | | |
| | Hauptschalter | | | | | | | | | | | | | | | | | | | |
| | Schalter | | | | | | | | | | | | | | | | | | | |
| | Motor/SchutzSchalter | | | | | | | | | | | | | | | | | | | |
| | Fernbedienung | | | | | | | | | | | | | | | | | | | |
| | Phasenfolgenüberwachung+Strommelde | | | | | | | | | | | | | | | | | | | |
| | Softstarter/Sanftanlauf | | | | | | | | | | | | | | | | | | | |
| | Ansaugtemperatur 1 | | | | | | | | | | | | | | | | | | | |
| | Ansaugtemperatur 2 | | | | | | | | | | | | | | | | | | | |
| | Transformator | | | | | | | | | | | | | | | | | | | |
| | Doppel-Wasserpumpe | | | | | | | | | | | | | | | | | | | |
| | Wasserdruk | | | | | | | | | | | | | | | | | | | |
| | Wassertemperatur | | | | | | | | | | | | | | | | | | | |
| | CODIGO DE COLORES | | | | | | | | | | | | | | | | | | | |
| bk | negro | | | | | | | | | | | | | | | | | | | |
| br | marfón | | | | | | | | | | | | | | | | | | | |
| rd | rojo | | | | | | | | | | | | | | | | | | | |
| or | naranja | | | | | | | | | | | | | | | | | | | |
| yl | amarillo | | | | | | | | | | | | | | | | | | | |
| gn | verde | | | | | | | | | | | | | | | | | | | |
| bl | azul | | | | | | | | | | | | | | | | | | | |
| vi | violeta | | | | | | | | | | | | | | | | | | | |
| wh | gris | | | | | | | | | | | | | | | | | | | |
| | COLOUR CODE | | | | | | | | | | | | | | | | | | | |
| | black | | | | | | | | | | | | | | | | | | | |
| | brown | | | | | | | | | | | | | | | | | | | |
| | red | | | | | | | | | | | | | | | | | | | |
| | orange | | | | | | | | | | | | | | | | | | | |
| | yellow | | | | | | | | | | | | | | | | | | | |
| | green | | | | | | | | | | | | | | | | | | | |
| | blue | | | | | | | | | | | | | | | | | | | |
| | violet | | | | | | | | | | | | | | | | | | | |
| | grey | | | | | | | | | | | | | | | | | | | |
| | white | | | | | | | | | | | | | | | | | | | |
| | CODE COULEUR | | | | | | | | | | | | | | | | | | | |
| | noir | | | | | | | | | | | | | | | | | | | |
| | brun | | | | | | | | | | | | | | | | | | | |
| | rouge | | | | | | | | | | | | | | | | | | | |
| | orange | | | | | | | | | | | | | | | | | | | |
| | jaune | | | | | | | | | | | | | | | | | | | |
| | vert | | | | | | | | | | | | | | | | | | | |
| | bleu | | | | | | | | | | | | | | | | | | | |
| | violet | | | | | | | | | | | | | | | | | | | |
| | gris | | | | | | | | | | | | | | | | | | | |
| | blanc | | | | | | | | | | | | | | | | | | | |
| | FARBKENNUNG | | | | | | | | | | | | | | | | | | | |
| | schwarz | | | | | | | | | | | | | | | | | | | |
| | braun | | | | | | | | | | | | | | | | | | | |
| | rot | | | | | | | | | | | | | | | | | | | |
| | orange | | | | | | | | | | | | | | | | | | | |
| | gelb | | | | | | | | | | | | | | | | | | | |
| | grün | | | | | | | | | | | | | | | | | | | |
| | blau | | | | | | | | | | | | | | | | | | | |
| | violet | | | | | | | | | | | | | | | | | | | |
| | grau | | | | | | | | | | | | | | | | | | | |
| | weiss | | | | | | | | | | | | | | | | | | | |