

## 2.- INSTALLATION

### 2.4.- INSTALLATION CLEARANCES

(\*) Clearance around the unit, for all unit versions.  
Failure to install the units as shown will impact performance and reliability.

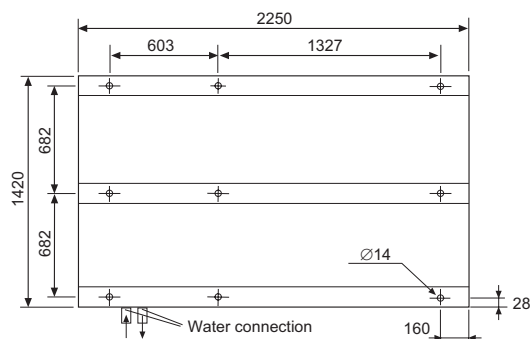
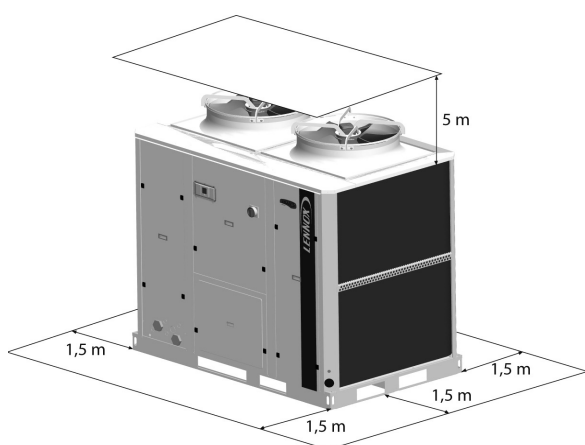
#### INSTALLATION CLEARANCES



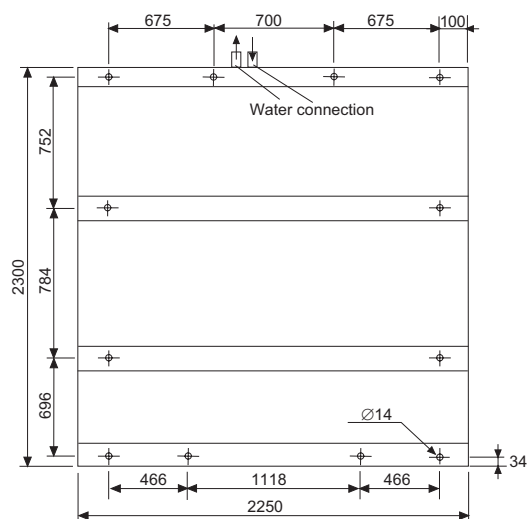
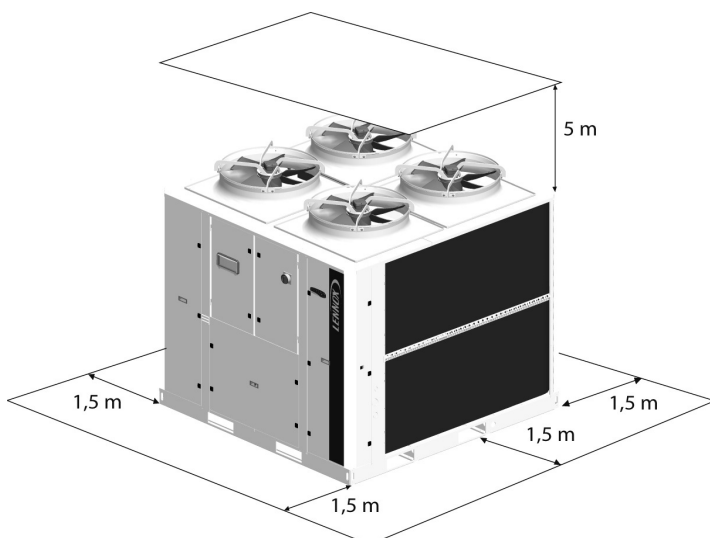
#### DETAILING AVM POSITIONS



#### EAC/EAR 1003-1103-1203-1303-1403



#### EAC/EAR 1604-1804-2104



(\*) Keep this space free around the unit for installation, for all unit versions.

