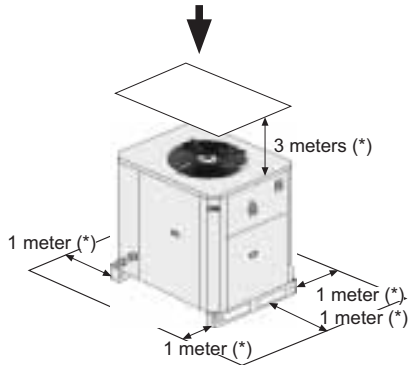


2.- INSTALLATION

2.4.- INSTALLATION CLEARANCES

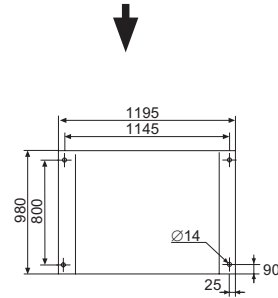
(*) Clearance around the unit, for all unit versions.
Failure to install the units as shown will impact performance and reliability.

INSTALLATION CLEARANCES

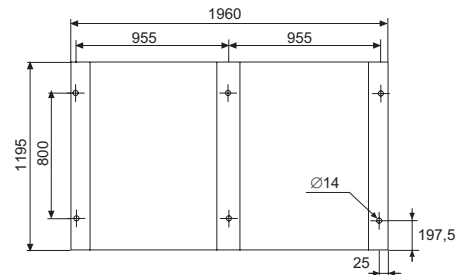
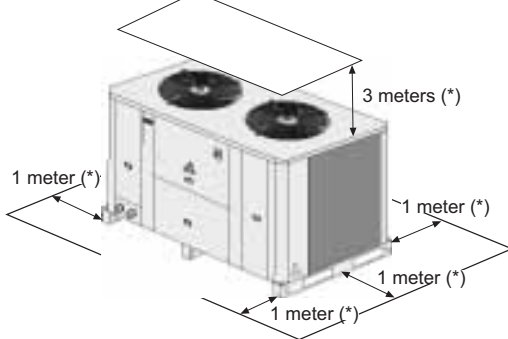


EAC/EAR
0251SM-0291SM-0351SM-0431SM

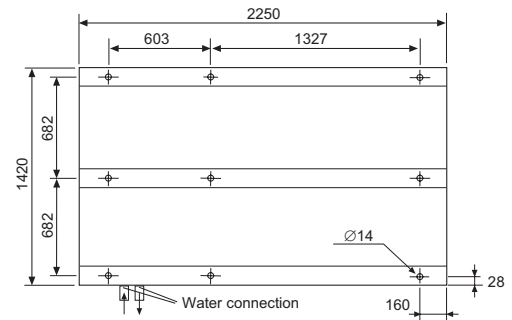
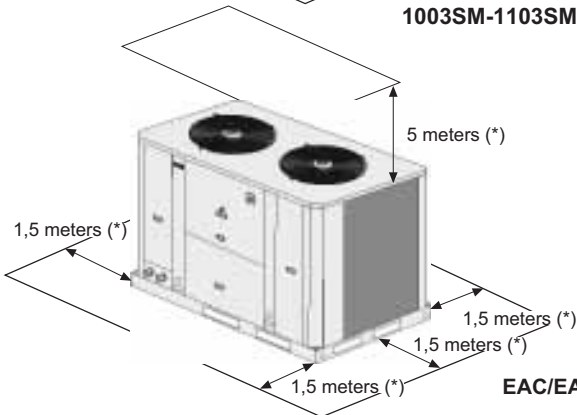
DETAILING AVM POSITIONS



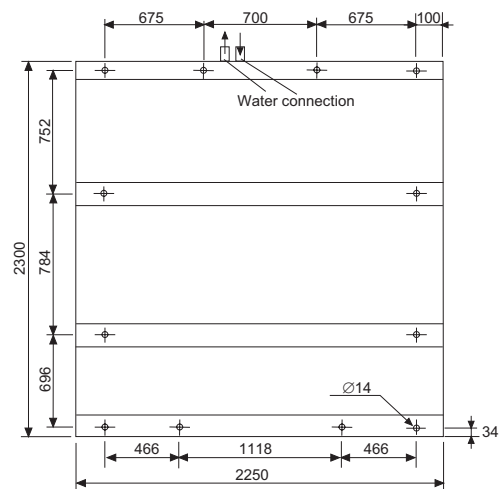
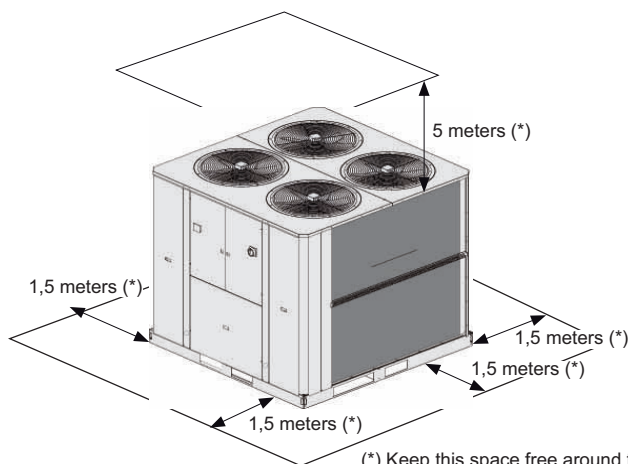
EAC/EAR
0472SM-0552SM-0672SM-0812SM



EAC/EAR
1003SM-1103SM-1203SM-1303SM-1403SM



EAC/EAR 1604SM-1804SM-2104SM



(*) Keep this space free around the unit for installation, for all unit versions.