



**RUBBER ANTIVIBRATION MOUNTS**

For ECOLEAN, AIRCOOLAIR and AIRCUBE, the following antivibration mounts are supplied in the rubber damps and spring damps kits.

• **RUBBER DAMPS:**

UNIT MODEL	DAMPS DESIGNATION	REFERENCE	QUANTITY	SHORE
EAC/R 09-43	DRD 85-75	1202351	4	75
EAC/R 47-81	DRD 85-75	1202351	6	75
EAC/R 100-140	DRD 90-75	1202353	9	75
EAC/R 160-180	DRD 90-75	1202353	12	75
ANCM/HM 24-43E	DRD 75-85	1202351	4	75
ANCM/HM 48-86D	DRD 85-75	1202351	6	75
ANCM/HM 112-152D	DRD 90-75	1202353	9	75
KSCM/HM 22-43E	DRD 75-85	1202351	4	75
KSCM-HM 52-86D	DRD 85-75	1202351	6	75
KSCM-HM 112D-152D	DRD 90-75	1202353	9	75
KSCM-HM 214D	DRD 90-75	1202353	12	75

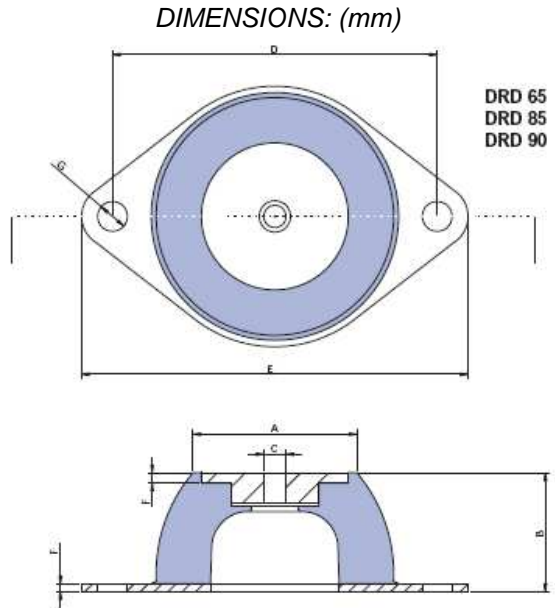
• **SPRING DAMPS:**

UNIT MODEL	DAMPS DESIGNATION	REFERENCE	QUANTITY
EAC/R 100-140	AMC 350/AMC 250	1202363/1202362	6/3
EAC/R 160-180	AMC 500/AMC 350	1202366/1202363	6/6
ANCM/HM 112-152D	AMC 350/AMC 250	1202363/1202362	6/3
KSCM-HM 112D-152D	AMC 350/AMC 250	1202363/1202362	6/3
KSCM-HM 214D	AMC 500/AMC 350	1202366/1202363	6/6



- Dimensional data for the RUBBER ANTIVIBRATION MOUNTS:

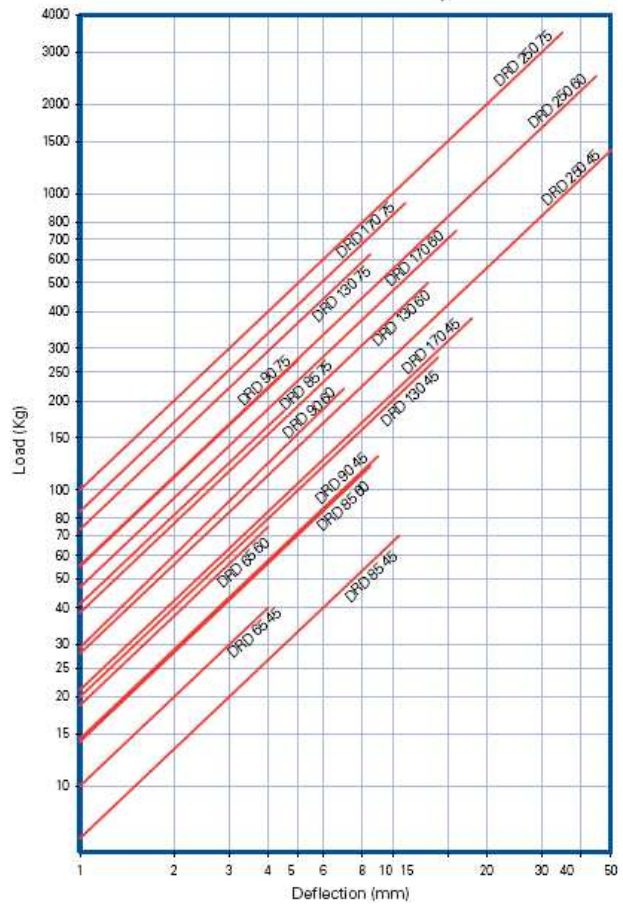
IMAGE:



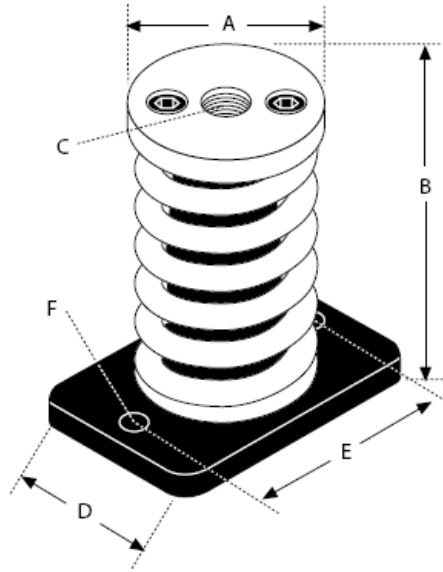
CODE	DAMPS DESIGNATION	A	B	C	D	E	G
1202351	DRD 85-75	48	38	M-10	110	136	11.5
1202353	DRD 90-75	47	45	M-10	124	151	11.5

- AVM's deflection calculation for the RUBBER ANTIVIBRATION MOUNTS:

DRD 85-75: 185 Kg  
 DRD 90-75: 275 Kg



- Dimensional data for the SPRING ANTIVIBRATION MOUNTS:



REFERENCE	A	B	C	D	E	F
1 AMC 150	75	120	M-12	75	87	10
1 AMC 200	75	120	M-12	75	87	10
1 AMC 250	75	120	M-12	75	87	10
1 AMC 350	75	120	M-12	75	87	10
1 AMC 500	75	120	M-14	100	120	10
1 AMC 750	75	130	M-14	100	120	10

- Charge/Resistance curve:

Gráfico carga flecha.

Graphique charge flèche. - Load deflection's graph.

