

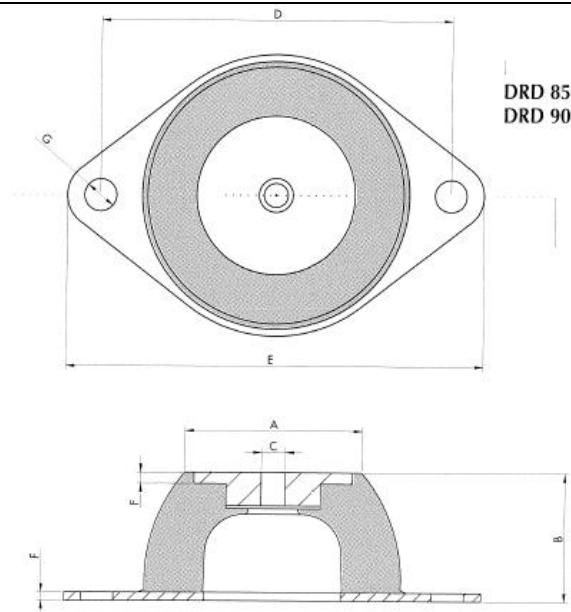
RUBBER ANTIVIBRATION MOUNTS

In the Ecolean units ,we supply the following antivibration mounts as option:

CODE	MODEL	REFERENCE	QUANTITY	SHORE
43202350	EAC/R 09-43	DRD 85-60	4	60 Shore
43202351	EAC/R 47-81	DRD 85-75	6	75 Shore
43202353	EAC/R 100-140	DRD 90-75	9	75 Shore
43202353	EAC/R 160-180	DRD 90-75	12	75 Shore



DIMENSIONS

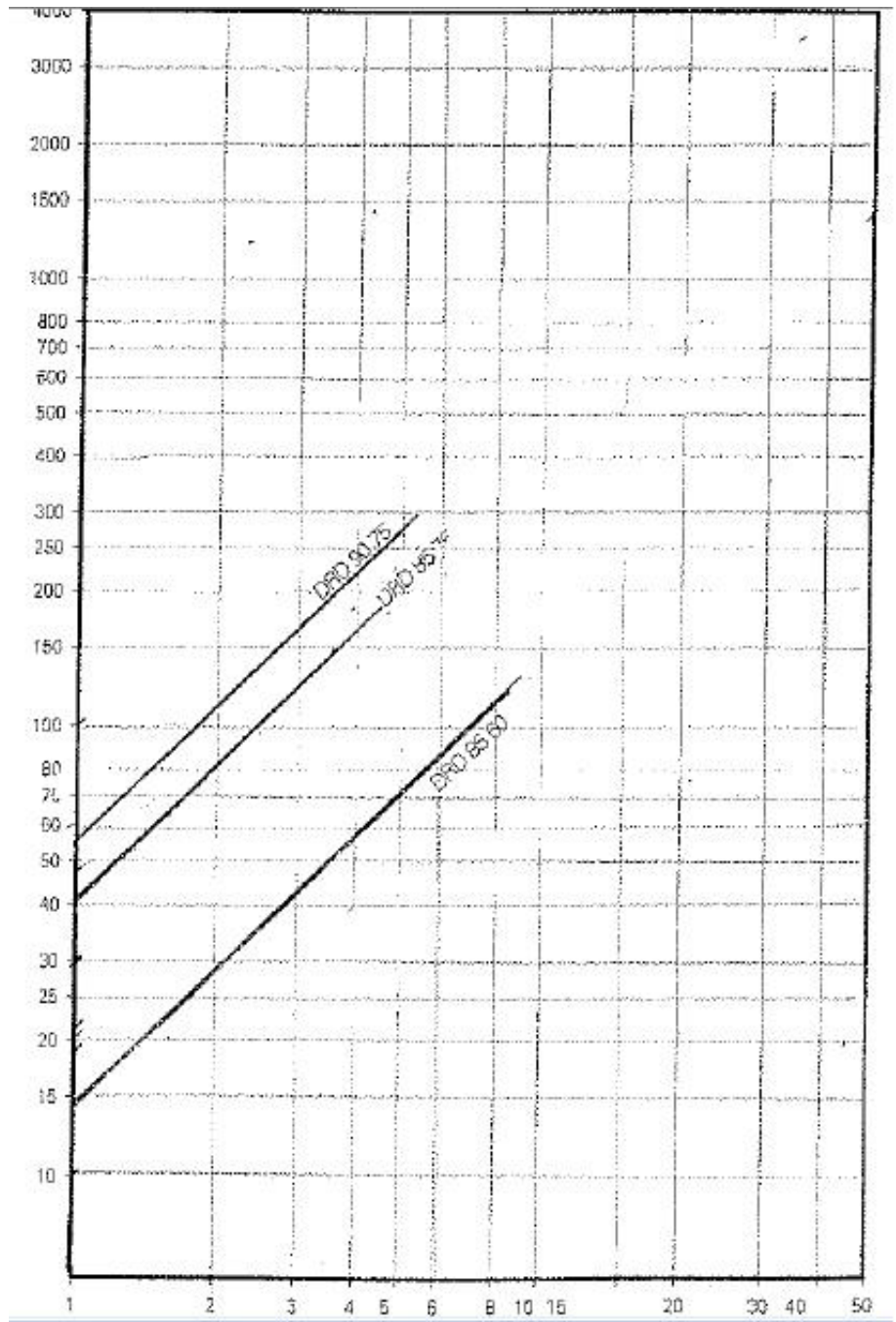


CODE	DESC	A	B	C	D	E	F
43202350-1	DRD 85-60 DRD 85-75	48	38	M-10	110	136	2
43202353	DRD 90-75	47	45	M-10	124	151	3



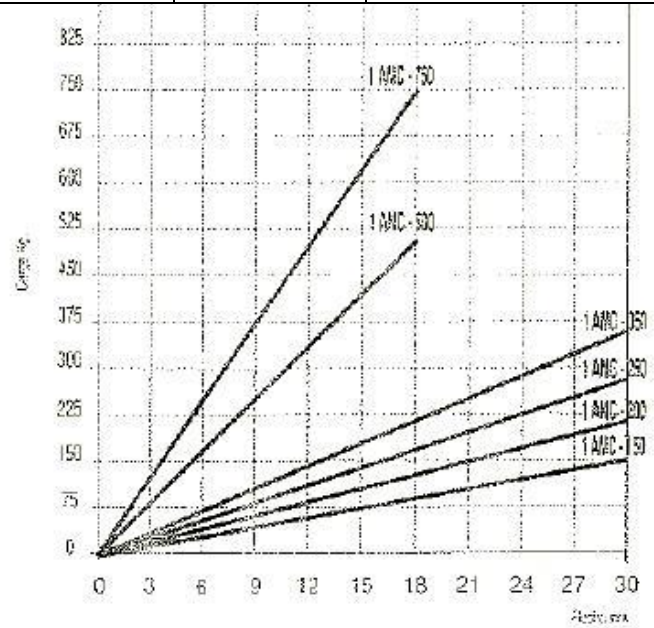
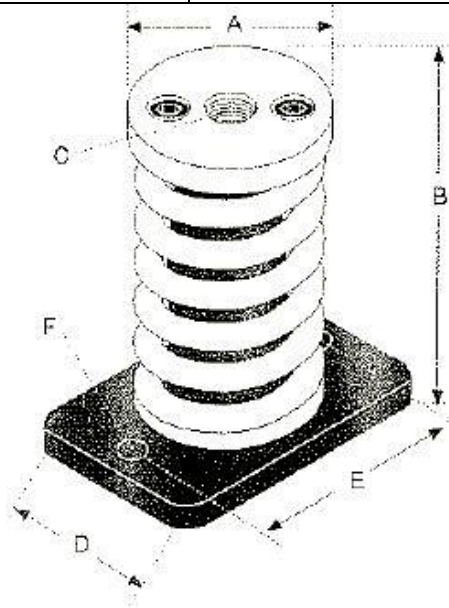
CALCULATION OF AVM'S DEFLECTION

- DRD 85-60 : 120 kg
- DRD 85-75 : 185 Kg
- DRD 90-75 : 275 Kg



SPRING ANTIVIBRATION MOUNTS

CODE	MODEL	REFERENCE	QUANTITY	
43202363	EAC/R 100-140	AMC 350	6	
43202362		AMC 250	3	
43202366	EAC/R 160-180	AMC 500	6	
43202363		AMC 350	3	



Reservados todos los derechos. No se permite la explotación económica ni la transformación de esta obra. Queda permitida la impresión en su totalidad.

REFERENCIA	A	B	C	D	E	F
1 AMC 150	75	120	M-12	75	87	10
1 AMC 200	75	120	M-12	75	87	10
1 AMC 250	75	120	M-12	75	87	10
1 AMC 350	75	120	M-12	75	87	10
1 AMC 500	90	120	M-14	100	120	12
1 AMC 750	90	130	M-14	100	120	12